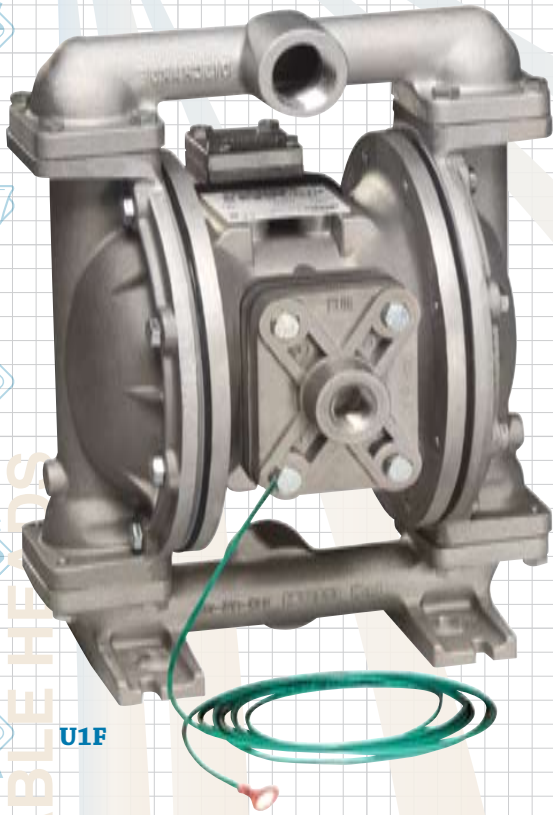


SPECIAL DUTY - UL Pump

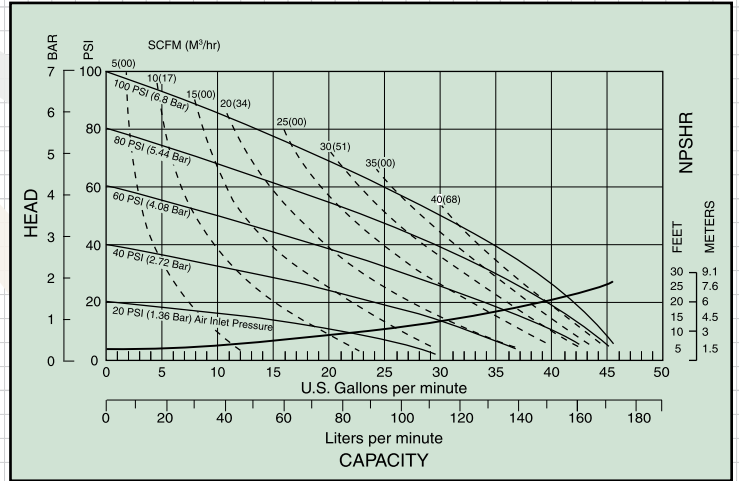


VARIABLE HEADS



U1F

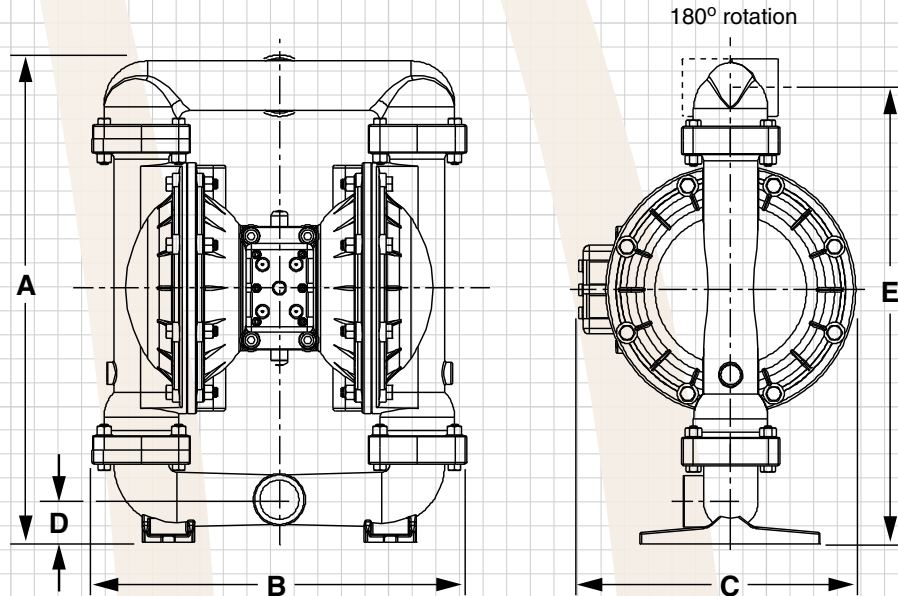
U1F Performance Curve



UL (Underwriters Laboratory) Pumps are designed to meet UL79 standards for diaphragm pumps handling flammable liquids. All Aluminum construction with approved Buna or Virgin PTFE UL elastomers. Fully groundable to prevent static discharge.



Underwriters Laboratory



PUMP MODELS	A	B	C	D		E	Connection Style	Pipe Size	Displacement Per Stroke	Max Flow Per Minute	Max Solids Handling	Max Discharge Pressure
	Height	Width	Depth	Bottom of Base to Center Line of:	Suction	Discharge						
	inches (mm)	inches (mm)	inches (mm)	inches (mm)	inches (mm)	inches (mm)		inch (mm)	gal (liter)	gal (liter)	inch (mm)	psi (bar)
U1F	12 23/32 (323)	10 1/4 (260)	10 3/8 (264)	1 3/32 (28)	11 27/32 (301)		1" NPT	1 (25)	.11 (.42)	45 (170)	.25 (6)	125 (8.6)

All Dimensions +/- 1/8 (3)