

SEWAGE PUMP - Stainless steel SUS316

SWA Series - 50Hz - 4 Pole



SWA series 4 pole



SSW series 2 pole

Product Description

SWA series has 10 models that offer:

- the auto-cut shuts off automatically to prevent over-heat whenever its voltage drop, impeller plugged, water level under the watermark and other unusual conditions
- cable base filled with EPOXY to raise humidity resistance
- world class innovative design pump
- suction casings made of chromium alloy steel
- double mechanical seal made of silicon carbide
- all O-rings made of nitrite rubber
- convenient to move pump from one site to another
- strict adherence to CE and UL standards
- three kinds of impellers, semi-open, closed, vortex are equipped for pumping various waste water treatment



Waste water treatment plant



SSW series 2 pole

* We reserve the right to amend specification without prior notice.

1

INDRA HYDRO TECH PUMPS PVT. LTD.

316, 1st Floor, 8th Cross, 4th Phase, Peenya Industrial Area, Bengaluru - 560 058, Karnataka, India
Tel.: +91 80 2836 2916, Fax: +91 80 2836 3048, Email: contact@ihpindia.in, www.ihpindia.in

SEWAGE PUMP - Stainless steel SUS316

SWA Series - 50Hz - 4 Pole



Sewage processing plant

Applications

- Wastewater lift station, municipal wastewater treatment plant.
- Building wastewater treatment system.
- Piggery excrement, animal & poultry farm.
- School, hospital, community wastewater treatment system.
- Food, paper, mining, textile, leather industry wastewater treatment system.

Models

Models	Phase	Pole	Models	Phase	Pole
SWA-333	3 Ø	4	SWA-3156	3 Ø	4
SWA-354	3 Ø	4	SWA-3206	3 Ø	4
SWA-3754	3 Ø	4	SWA-3208	3 Ø	4
SWA-3104	3 Ø	4	SWA-3256	3 Ø	4
SWA-3106	3 Ø	4	SWA-3308	3 Ø	4

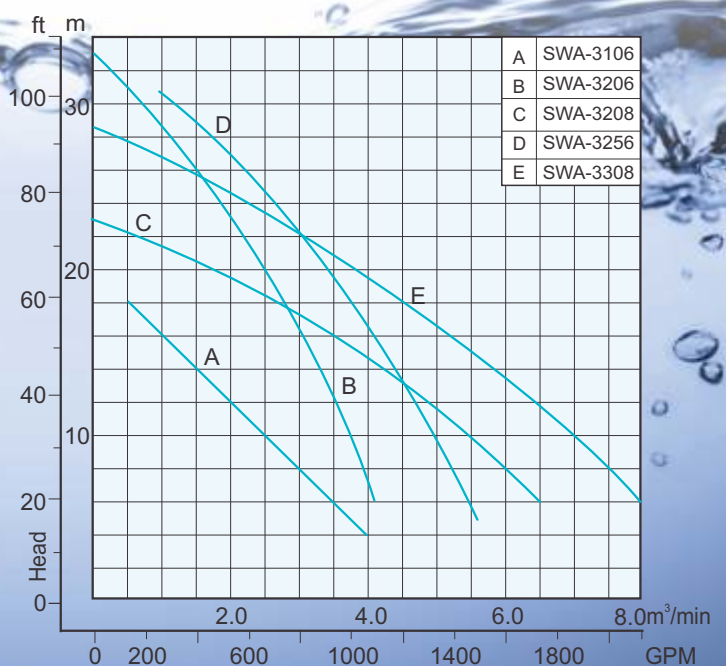
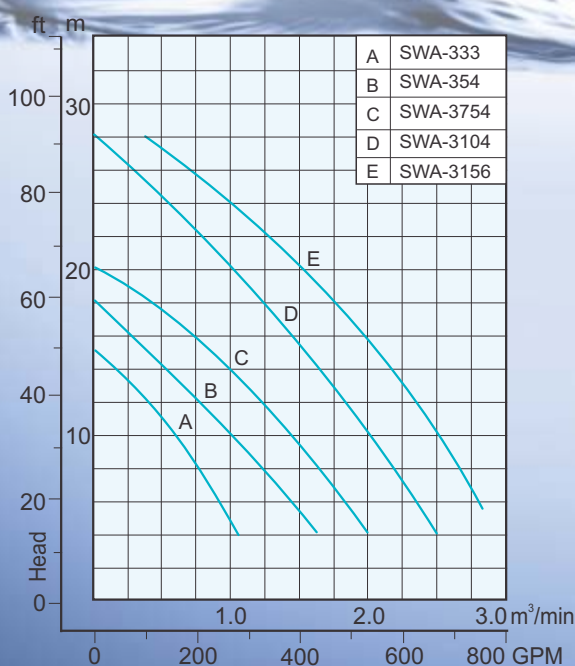
*LSD-Direct

*LSY-Y-Δ



Paper industry

Performance Curves



* We reserve the right to amend specification without prior notice.

INDRA HYDRO TECH PUMPS PVT. LTD.

316, 1st Floor, 8th Cross, 4th Phase, Peenya Industrial Area, Bengaluru - 560 058, Karnataka, India
 Tel.: +91 80 2836 2916, Fax: +91 80 2836 3048, Email: contact@ihpindia.in, www.ihpindia.in

SEWAGE PUMP - Stainless steel SUS316

SWA Series - 50Hz - 4 Pole

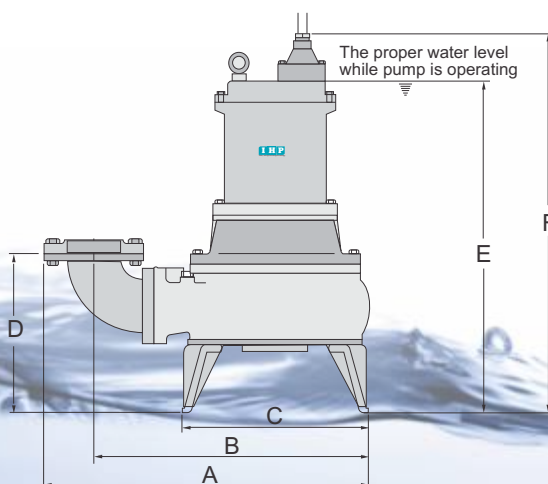


Semi open impeller

Specifications

Motor	Type	Submersible, Oil filled (continuous duty)	
	Pole	4-P	
	Insulation Class	H-class (180°C)	
	Frequency	50Hz	
	Protector	Auto-cut (Overheat & Overload)	
	Pole Rotation	4P/1425 RPM	
	Protection class	IP-68	
	Materials	Casing	SUS 304
		Shaft	SUS 403/SUS 410/SUS 420
		Cable	CE/UL standard
Seal		SIC-Seal	
Pump	Outlet-mm	80. 100. 150. 200.	
	Impeller Type	Semi open, Channel, Vortex Impeller	
	Impeller Material	SUS-316	
	Mechanical Seal	Dual mechanical seal made of silicon carbide	
	Bearing	Heavy duty bearing	
	Maximum Depth	30-Mts	
	Liquid temperature	0~40°C (32° F - 104° F)	
	Volute Casing	SUS-316	
	Seal Bracket	SUS-316	
	Upper Cover	SUS-316	

Dimensions & Weight



Unit : mm

TYPE	A	B	C	D	E	F
SWA-333	540	450	315	285	575	615
SWA-354	540	495	315	285	620	670
SWA-3754	685	580	395	340	700	710
SWA-3104	685	580	395	340	710	820
SWA-3106	685	580	450	540	890	870
SWA-3156	860	720	450	540	890	950
SWA-3206	860	720	450	540	940	950
SWA-3208	860	720	450	540	940	980
SWA-3256	890	740	510	615	970	980
SWA-3308	890	740	510	615	970	990

Hydraulic Data

Model	Output Hp(kW)	Outlet in inches	Phase	Standards		Solid Passage mm	Max Diameter mm	Height mm	Weight kg.	Cable Meter
				Head m	Capacity m ³ /min					
SWA-333	3(2.2)	3"	3 Ø	10	0.6	40	580	615	80	10
SWA-354	5(3.7)	4"	3 Ø	11	1.0	40	580	670	86	10
SWA-3754	7½(5.5)	4"	3 Ø	14	1.0	30	600	710	108	10
SWA-3104	10(7.5)	4"	3 Ø	18	1.0	40	730	820	154	10
SWA-3106	10(7.5)	6"	3 Ø	12	2.5	45	850	870	184	10
SWA-3156	15(11)	6"	3 Ø	15	2.0	45	940	950	235	10
SWA-3206	20(15)	6"	3 Ø	20	2.5	55	940	950	245	10
SWA-3208	20(15)	8"	3 Ø	13	4.5	60	960	980	270	10
SWA-3256	25(19)	6"	3 Ø	25	3.0	55	940	980	280	10
SWA-3308	30(22.5)	8"	3 Ø	19	4.5	60	960	990	300	10

* We reserve the right to amend specification without prior notice.



water, sewage and sludge technology
pumps for life ...

An ISO 9001:2008 certified company by 



INDRA HYDRO TECH PUMPS PVT. LTD.

316, 1st Floor, 8th Cross, 4th Phase
Peenya Industrial Area
Bengaluru - 560 058
Karnataka, India
Tel.: +91 80 2836 2916
Fax: +91 80 2836 3048
Email: contact@ihpindia.in



www.ihpindia.in